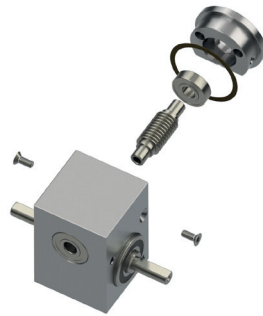
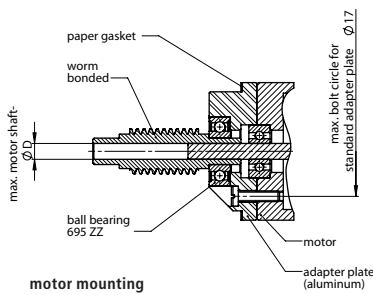
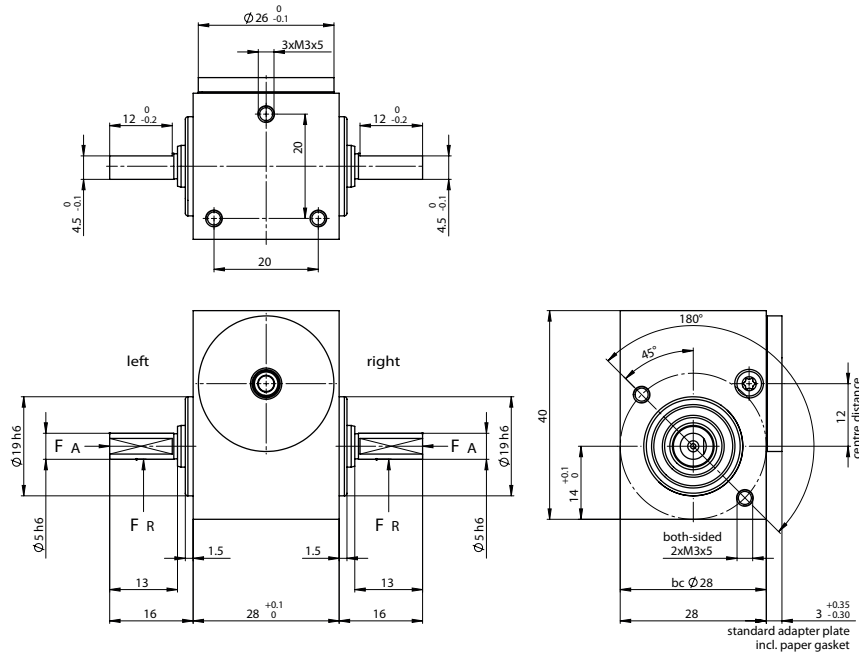


### 1-STAGE



**Standard scope of delivery** Gearbox lubricated for duration of service life, dust-proof packaged, worm, mounting screws, paper gasket and assembly instructions (adapter plate optional).  
**Customized versions also available for small quantities.**

Ratio i:1

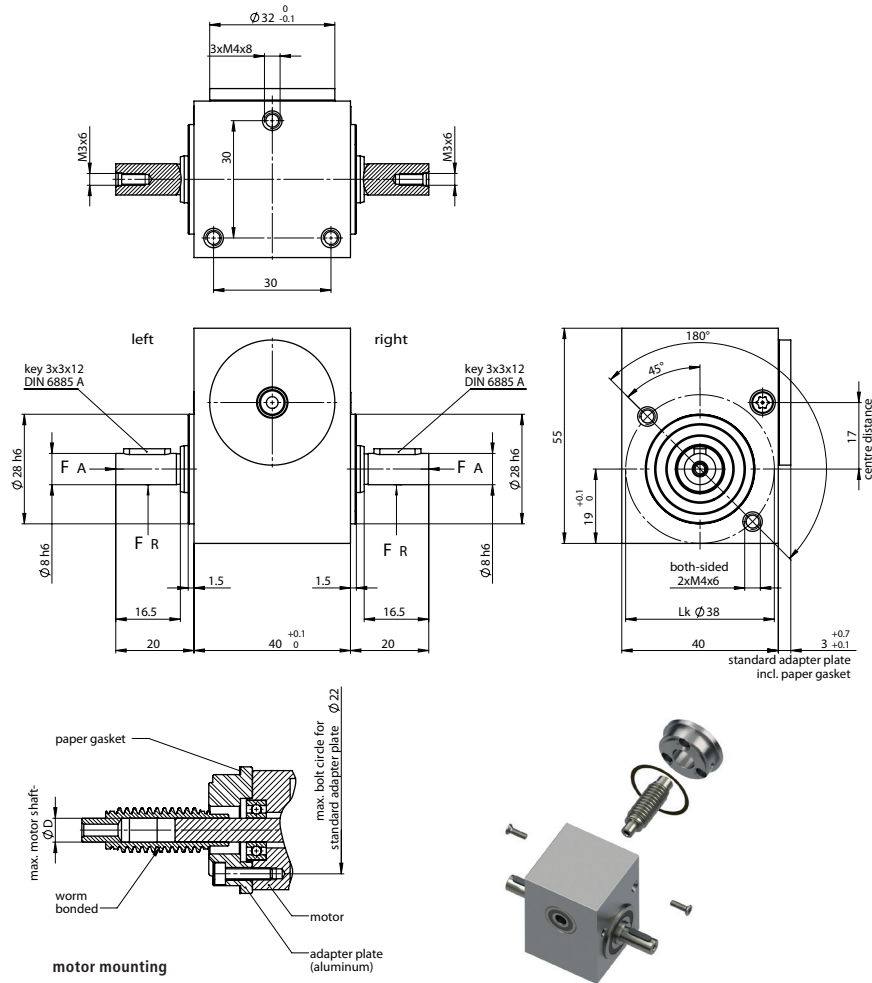
Max. efficiency factor (%)

5	75
7	70
10	65
15	55
20	50
25	55
30	40
40	35
50	30
60	30

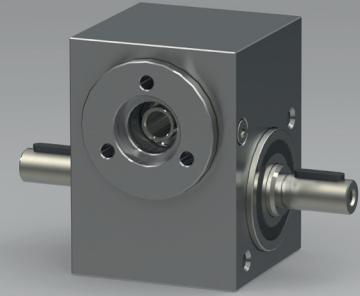
Rated torque continuous		Nm	1
Rated torque intermittent		Nm	1.5
Average backlash at no load	Type Standard	arcmin ≤	30
Average backlash at no load	Type R	arcmin ≤	15
Weight without adapter plate		g	140
Standard bore-ØD worm		mm	3
Max. motor shaft-ØD		mm	4
Max. radial load	F <sub>R</sub>	6.5 mm from shaft end	N
Max. axial load	F <sub>A</sub>		N
Max. continuous rated speed at drive		min <sup>-1</sup>	4000
Max. intermittent rated speed at drive		min <sup>-1</sup>	6000
Temperature range		°C	-25 / +90

Type R = reduced backlash version

Changes reserved © GYSIN AG | 05/2015



## WORM GEARBOX GSR017



### 1-STAGE

Ratio i:1	Max. efficiency factor (%)
5	75
7	70
10	65
15	55
20	50
25	55
30	40
40	35
50	30
60	30

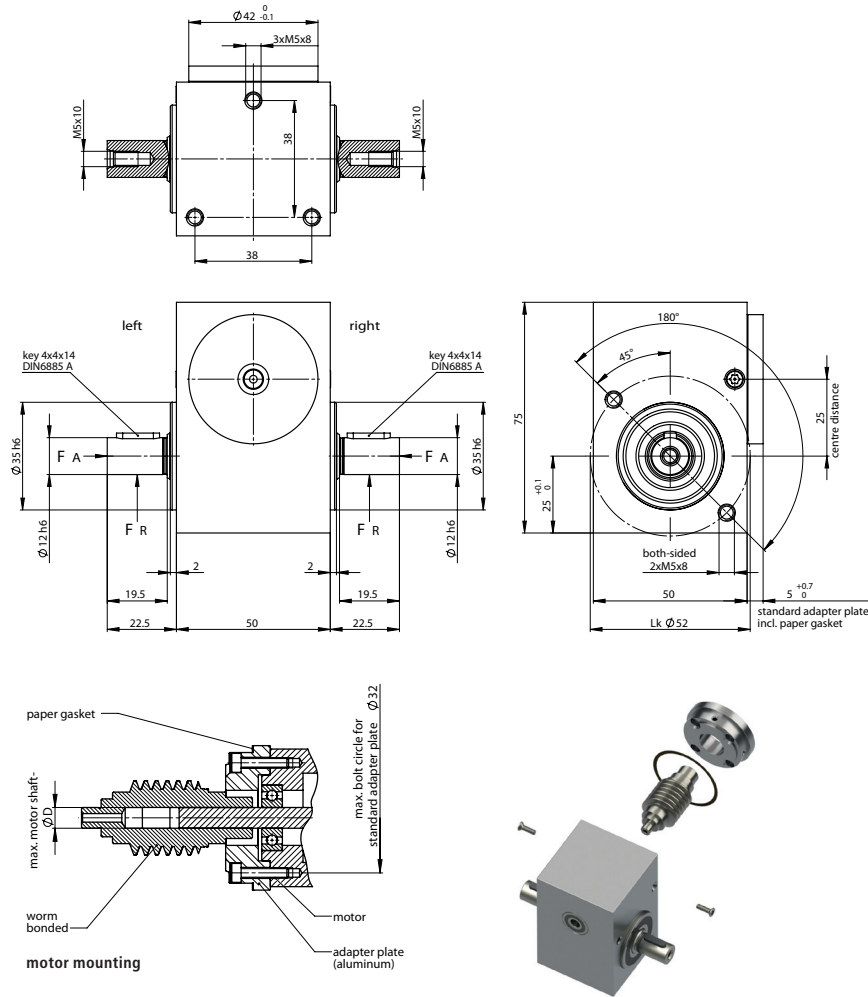
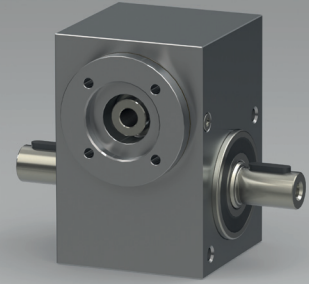
**Standard scope of delivery** Gearbox lubricated for duration of service life, dust-proof packaged, worm, mounting screws, paper gasket and assembly instructions (adapter plate optional).

**Customized versions also available for small quantities.**

Rated torque continuous		Nm	2
Rated torque intermittent		Nm	3
Average backlash at no load	Type Standard	arcmin ≤	30
Average backlash at no load	Type R	arcmin ≤	15
Weight without adapter plate		g	300
Standard bore-øD worm		mm	6
Max. motor shaft-øD		mm	7
Max. radial load	FR	8 mm from shaft end	N
Max. axial load	FA		N
Max. continuous rated speed at drive		min <sup>-1</sup>	4000
Max. intermittent rated speed at drive		min <sup>-1</sup>	6000
Temperature range		°C	-25 / +90

Type R = reduced backlash version

Changes reserved © GYSIN AG | 05/2015



### 1-STAGE

Ratio i:1

Max. efficiency factor (%)

5	75
7	70
10	65
15	55
20	50
25	55
30	40
40	35
50	30
60	30

**Standard scope of delivery** Gearbox lubricated for duration of service life, dust-proof packaged, worm, mounting screws, paper gasket and assembly instructions (adapter plate optional).

**Customized versions also available for small quantities.**

Rated torque continuous		Nm	4
Rated torque intermittent		Nm	6
Average backlash at no load	Type Standard	arcmin $\leq$	30
Average backlash at no load	Type R	arcmin $\leq$	15
Weight without adapter plate		g	620
Standard bore- $\varnothing D$ worm		mm	6
Max. motor shaft- $\varnothing D$		mm	8
Max. radial load	$F_R$ 9.5 mm from shaft end	N	150
Max. axial load	$F_A$	N	200
Max. continuous rated speed at drive		min <sup>-1</sup>	4000
Max. intermittent rated speed at drive		min <sup>-1</sup>	6000
Temperature range		°C	-25 / +90

Type R = reduced backlash version

Changes reserved © GYSIN AG | 05/2015