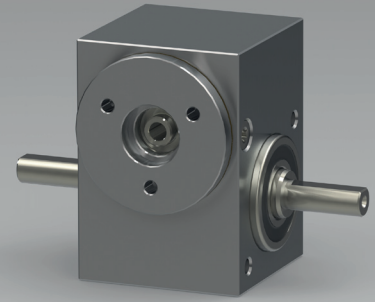


WORM GEARBOX GSR012



1-STAGE

Ratio i:1	Max. efficiency factor (%)
5	75
7	70
10	65
15	55
20	50
25	55
30	40
40	35
50	30
60	30

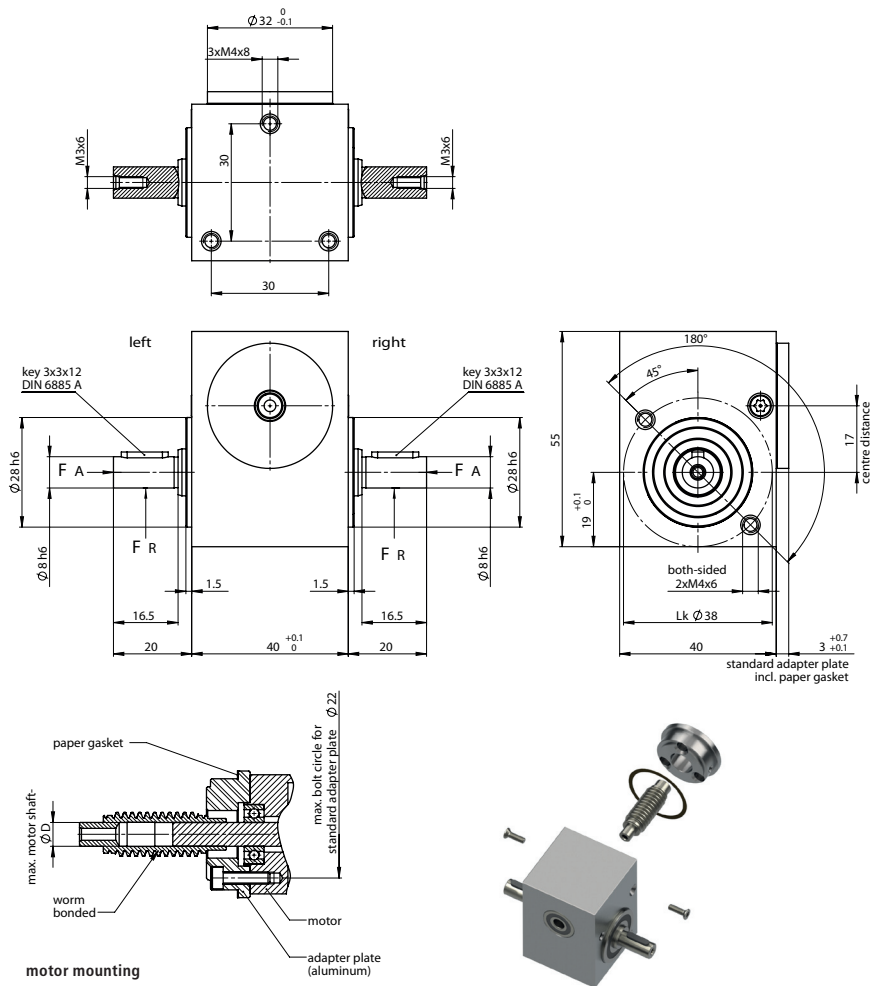
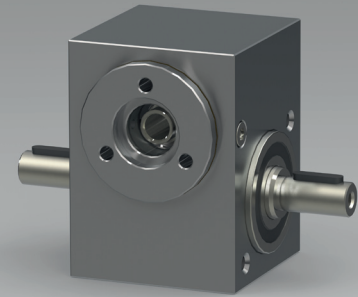
Standard scope of delivery Gearbox lubricated for duration of service life, dust-proof packaged, worm, mounting screws, paper gasket and assembly instructions (adapter plate optional).

Customized versions also available for small quantities.

Rated torque continuous	Nm	1
Rated torque intermittent	Nm	1.5
Average backlash at no load	Type Standard	arcmin ≤ 30
Average backlash at no load	Type R	arcmin ≤ 15
Weight without adapter plate	g	140
Standard bore-øD worm	mm	3
Max. motor shaft-øD	mm	4
Max. radial load	F _R 6.5 mm from shaft end	N 50
Max. axial load	F _A	N 40
Max. continuous rated speed at drive	min ⁻¹	4000
Max. intermittent rated speed at drive	min ⁻¹	6000
Temperature range	°C	-25 / +90

Type R = reduced backlash version

Changes reserved © GYSIN AG | 05/2015



1-STAGE

Ratio i:1	Max. efficiency factor (%)
5	75
7	70
10	65
15	55
20	50
25	55
30	40
40	35
50	30
60	30

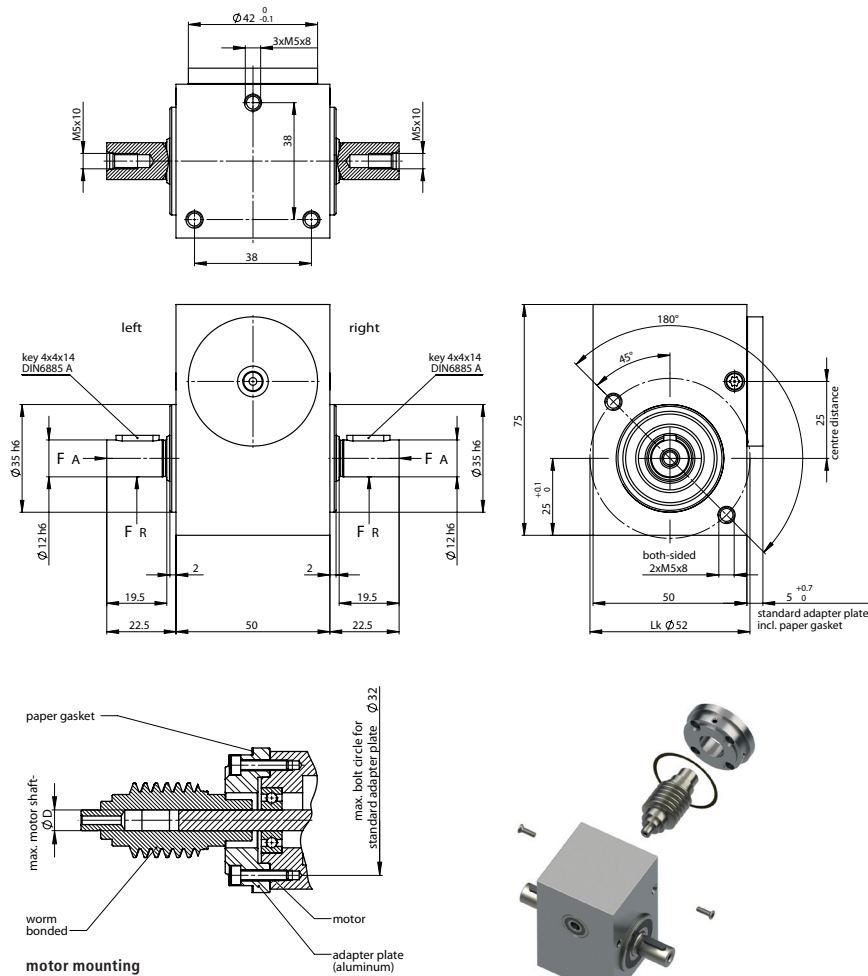
Standard scope of delivery Gearbox lubricated for duration of service life, dust-proof packaged, worm, mounting screws, paper gasket and assembly instructions (adapter plate optional).

Customized versions also available for small quantities.

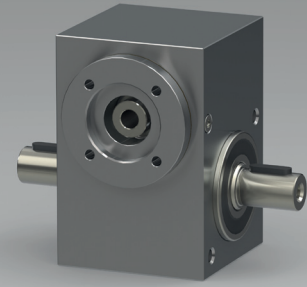
Rated torque continuous	Nm	2
Rated torque intermittent	Nm	3
Average backlash at no load	Type Standard	arcmin \leq 30
Average backlash at no load	Type R	arcmin \leq 15
Weight without adapter plate	g	300
Standard bore- \varnothing D worm	mm	6
Max. motor shaft- \varnothing D	mm	7
Max. radial load	F _R 8 mm from shaft end	N 100
Max. axial load	F _A	N 120
Max. continuous rated speed at drive	min ⁻¹	4000
Max. intermittent rated speed at drive	min ⁻¹	6000
Temperature range	°C	-25 / +90

Type R = reduced backlash version

Changes reserved © GYSIN AG | 05/2015



WORM GEARBOX GSR025



1-STAGE

Ratio i:1	Max. efficiency factor (%)
5	75
7	70
10	65
15	55
20	50
25	55
30	40
40	35
50	30
60	30

Standard scope of delivery Gearbox lubricated for duration of service life, dust-proof packaged, worm, mounting screws, paper gasket and assembly instructions (adapter plate optional).

Customized versions also available for small quantities.

Rated torque continuous	Nm	4
Rated torque intermittent	Nm	6
Average backlash at no load	Type Standard	arcmin ≤ 30
Average backlash at no load	Type R	arcmin ≤ 15
Weight without adapter plate	g	620
Standard bore-øD worm	mm	6
Max. motor shaft-øD	mm	8
Max. radial load	F _R 9.5 mm from shaft end	N 150
Max. axial load	F _A	N 200
Max. continuous rated speed at drive	min ⁻¹	4000
Max. intermittent rated speed at drive	min ⁻¹	6000
Temperature range	°C	-25 / +90

Type R = reduced backlash version

Changes reserved © GYSIN AG | 05/2015