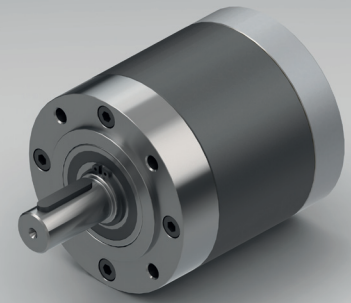


PLANETARY GEARBOX GPL120



		1-STAGE		2-STAGE		3-STAGE		
Ratio i:1	Max. motor shaft-ØD	Ratio i:1		Max. motor shaft-ØD		Ratio i:1		Max. motor shaft-ØD
		49	19	56	19	64	19	
12.25	24	24	19	100	19	70	19	19
14	19	25	14	120	19	80	19	19
16	19	30	14	144	19			
20	19	36	10	180	14			
3.5	24	24	19	100	19			
4	19	25	14	120	19			
5	14	30	14	144	19			
6	10	36	10	180	14			

Standard scope of delivery Gearbox lubricated for duration of service life, dust-proof package, motor pinion, mounting screws, paper gasket and assembly instructions (adapter plate optional).
Customized versions also available for small quantities.

Rated torque continuous	Type Standard	Type R	Nm	25	130	350
Rated torque intermittent	Type Standard	Type R	Nm	50	250	600
Rated torque continuous	Type V	Type S	Nm	50	250	350
Rated torque intermittent	Type V	Type S	Nm	100	350	600
Max. efficiency at rated torque			%	90	85	80
Average backlash at no load	Type Standard	Type V	arcmin ≤	20	35	50
Average backlash at no load	Type R		arcmin ≤	10	20	30
Average backlash at no load	Type S		arcmin ≤	6	12	15
Weight without adapter plate			g	5000	7250	9500
Dimension L			mm	73	103	133
Dimension L1			mm	48		44.5
Dimension A			mm	21		17.5
Dimension B			mm	48		44.5
Max. radial load	F _R	25 mm from shaft end	N		1500	
Max. axial load	F _A		N		1200	
Max. continuous rated speed at drive			min ⁻¹		3000	
Max. intermittent rated speed at drive			min ⁻¹		5000	
Temperature range			°C		-25 / +90	

Type V = heavy duty version | Type R = reduced backlash version | Type S = low backlash version

Changes reserved © GYSIN AG | 01/2016