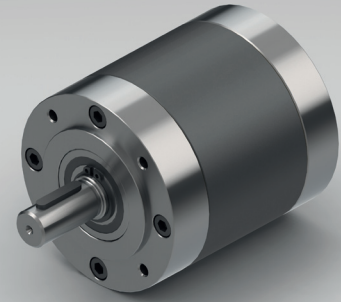


**Standard scope of delivery** Gearbox lubricated for duration of service life, dust-proof package, motor pinion, mounting screws, paper gasket and assembly instructions (adapter plate optional).  
**Customized versions also available for small quantities.**

## PLANETARY GEARBOX GPL090



		1-STAGE	2-STAGE	3-STAGE		
Ratio i:1	Max. motor shaft- $\varnothing D$	Ratio i:1	Max. motor shaft- $\varnothing D$	Ratio i:1	Max. motor shaft- $\varnothing D$	
				49	14	
		56	14			
		12.25	16	64	14	
		14	14	70	14	
		16	14	80	14	
		20	14	100	14	
		24	14	120	14	
		25	11	144	14	
		3.5	16	30	11	184
4	14	30.67	14	235.11	14	
5	11	38.33	11	293.89	11	
6	8	46	8	352.67	8	
7.67	6	58.78	6	450.63	6	
Rated torque continuous	Type Standard	Type R	Nm	6	30	75
Rated torque intermittent	Type Standard	Type R	Nm	12	60	150
Rated torque continuous	Type V	Type S	Nm	12	60	75
Rated torque intermittent	Type V	Type S	Nm	24	75	150
Max. efficiency at rated torque			%	90	85	80
Average backlash at no load	Type Standard	Type V	arcmin $\leq$	20	35	50
Average backlash at no load	Type R		arcmin $\leq$	10	20	30
Average backlash at no load	Type S		arcmin $\leq$	6	12	15
Weight without adapter plate			g	2250	3250	4250
Dimension L			mm	56.5	79	101.5
Dimension L1			mm	38		35
Dimension A			mm	16		13
Dimension B			mm	38		35
Max. radial load	FR	17.5 mm from shaft end	N		500	
Max. axial load	FA		N		400	
Max. continuous rated speed at drive			min <sup>-1</sup>		4000	
Max. intermittent rated speed at drive			min <sup>-1</sup>		6000	
Temperature range			°C		-25 / +90	

Type V = heavy duty version | Type R = reduced backlash version | Type S = low backlash version

Changes reserved © GYSIN AG | 05/2015