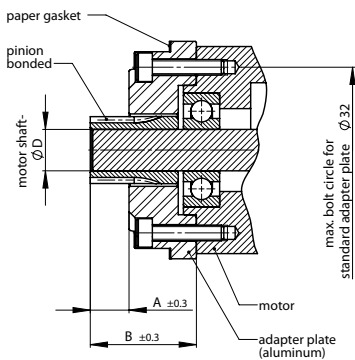
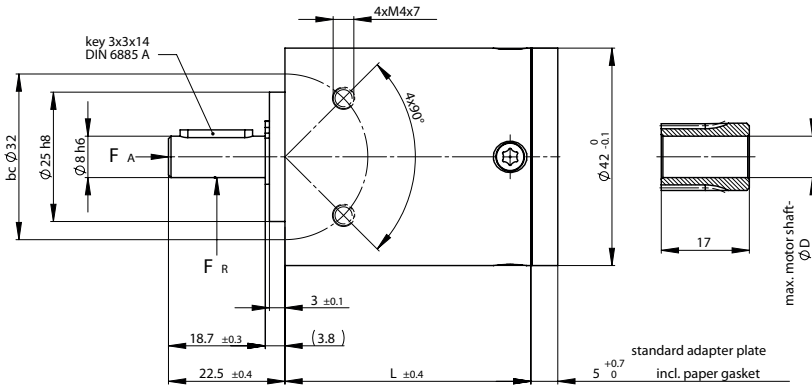


PLANETARY GEARBOX GPL042



motor mounting



Standard scope of delivery Gearbox lubricated for duration of service life, dust-proof package, motor pinion, mounting screws, paper gasket and assembly instructions (adapter plate optional).

Customized versions also available for small quantities.

Stainless steel version on request.

		1-STAGE	2-STAGE	3-STAGE			
Ratio i:1	Max. motor shaft-ØD	Ratio i:1	Max. motor shaft-ØD	49	8		
				56	8		
		12.25	8	64	8		
		14	8	70	8		
		16	8	80	8		
		20	8	100	8		
		24	8	120	8		
		25	6	144	8		
		3.5	8	30	6	184	8
		4	8	30.67	8	235.11	8
5	6	38.33	6	293.89	6		
6	4	46	4	352.67	4		
7.67	3	58.78	3	450.63	3		

Rated torque continuous	Type Standard	Type R	Nm	0.7	4	12
Rated torque intermittent	Type Standard	Type R	Nm	1.4	8	24
Rated torque continuous	Type V	Type S	Nm	1.4	8	12
Rated torque intermittent	Type V	Type S	Nm	3	12	24
Max. efficiency at rated torque			%	90	85	80
Average backlash at no load	Type Standard	Type V	arcmin ≤	20	35	50
Average backlash at no load	Type R		arcmin ≤	12	20	30
Average backlash at no load	Type S		arcmin ≤	8	12	15
Weight without adapter plate			g	275	350	425
Dimension L			mm	35	47.5	60
Dimension A			mm		7.5	
Dimension B			mm		20.5	
Max. radial load	F _R	9.5 mm from shaft end	N		150	
Max. axial load	F _A		N		120	
Max. continuous rated speed at drive			min ⁻¹		5000	
Max. intermittent rated speed at drive			min ⁻¹		8000	
Temperature range			°C		-25 / +90	

Type V = heavy duty version | Type R = reduced backlash version | Type S = low backlash version

Changes reserved © GYSIN AG | 01/2016