
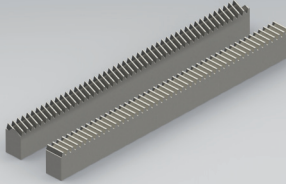


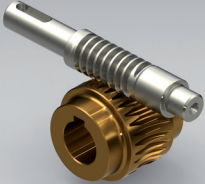


	<b>SPUR / HELICAL GEARS</b>	<b>SPUR GEARS</b>
	<b>SKEW GEAR</b>	<b>STRAIGHT GEAR</b>
	Module 0.2 to 2.5 Diameter up to 160 mm	Module 0.2 to 3.0 Diameter up to 160 mm

	<b>BEVEL GEARS</b>		<b>GEAR RACK</b>
	<b>STRAIGHT GEAR</b>		<b>STRAIGHT / SKEW GEAR</b>
	Diameter up to 100 mm System Mikron module 0.2 to 1.5 System Gleason Coniflex module 0.2 to 1.6 (with spherical flanks)		Up to $\pm 30^\circ$ angle Module 0.2 to 2.5 Gear length up to 430 mm

	<b>INNER TOOTHED RIMS</b>		<b>WORM GEAR SHAFTS</b>
	<b>STRAIGHT GEAR</b>		<b>WORM GEAR SHAFTS</b>
	Hobbing module 0.2 to 4.0 Diameter up to 250 mm Gear length up to 70 mm (100 mm) Broaching module 0.25 to 1.0 · Flat Root Involute Splines per DIN 5480 · Serration Splines per DIN 5481 · Inner Toothed Rims with bore diameter up to 80 mm		Module 0.2 to 3.0 Diameter up to 50 mm Milled, hardened and grinded

	<b>WORM GEARS</b>	<b>WORM GEAR SETS</b>
	<b>WORM GEARS</b>	<b>WORM GEAR SETS</b>
	Module 0.2 to 3.0 Diameter up to 160 mm	Module 0.2 to 3.0 Axis-center to center distance 12 to 60 mm Customer-specific solutions available upon request

	<b>FLAT ROOT INVOLUTE SPLINES/SERRATIONS</b>		<b>SPECIAL / CUSTOM GEARS</b>
	<b>FLAT ROOT INVOLUTE SPLINES/SERRATIONS</b>		<b>SPECIAL / CUSTOM GEARS</b>
	· Flat Root Involute Splines per DIN 5480 · Serration Splines per DIN 5481  · Custom spline shaft profiles available upon request  Customer-specific solutions available upon request		· Ratchet wheels · Segment gears · Hitch and clutch gears · Knurl gears Other gears profiles upon request